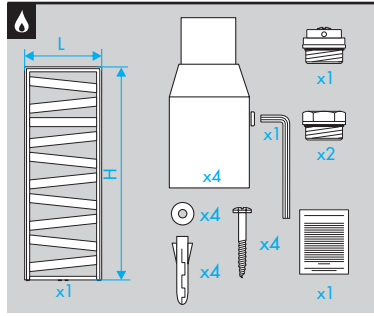


TYPE P58



© Copyright by PBO 03/18 40017546

